






LOGAZ-H2S Logger with H2S sensor

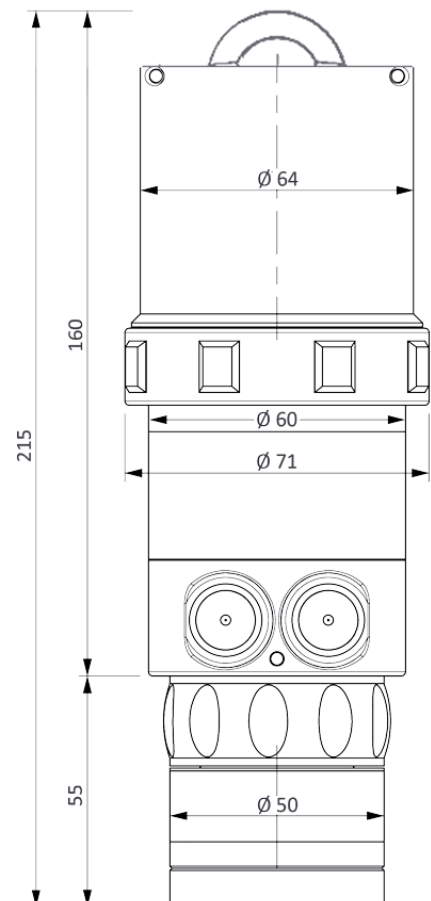


Features

- Measuring range : 0-2000ppm
- Wireless setting with Rfid technology
- Communication : HF / GSM / GPRS / 3G / Sigfox (depending on model)
- Memory : up to 500 000 mesures
- Logger enclosure rating IP68
- Replaceable lithium battery powered

This sensor integrates a logger, communication, energy, the H2S sensor while maintaining a long autonomy. The measurement is performed by an electrochemical cell, the measuring head is easily interchangeable on-site and embarks its calibration. The sensor can be used either in conventional diagnosis in data acquisition or in a communicating version with choice of the wireless communication mode: Radio, SMS, GPRS, 3G, Sigfox, ... to various SCADA and FTP servers (CSV file format also available).

Features	Data logger
	LOGAZ-H2S-2000-8X-3G (868 MHz) LOGAZ-H2S-2000-9X-3G (915 MHz)
Datalogger	Memory of 500 000 Measures
Concentrator	Yes
HF antenna	Internal or external depending on model
GSM antenna option	External on logger with built-in modem
Communication	Radio HF (868 or 915 MHz) GSM / GPRS with modem 2G/3G Sigfox
Radio range	100m open field , WJJI® protocol
Operating temperature	-40 ...85°C
Housing	ABS 20%FV
Ingress Protection	IP68 : 1 month under 1 bar (only when an Ijinus mounting kit is used PN : H0T00053 or H0T00060)
Energy	Battery : 3,6V / 34Ah (logger with built-in modem)
Programming	AVELOUR software part of the programming kit M0C00001 (868 MHz), or M0C00002 (915 MHz)
Weight	550g
Dimensions	215 x Ø 71mm
Atex Zone II	 II 3G Ex ic ec IIB T4 Gc Tamb : -20°C...60°C
Certification CE/FCC/IC	  : SE6A001 - IC : 10983A-A001



LOGAZ-H2S Logger with H2S sensor

Features	H2S Gaz cell 0-2000ppm
Measuring range	0-2000ppm
Max. overexposure	10 000ppm
Cell accuracy	± 0,15% FS
Resolution	1 ppm
Operating temperature range	-30°C to +50°C
Relative humidity range	15 to 90% (non-condensing)
Pressure range	80 à 120kPa
Cell enclosure rating	IP66
Dimensions	Ø54 x 54mm
Weight	108g
Calibration	Integrated to the cell

