



## LOGAZPRO-H2S: H2S logger with process output



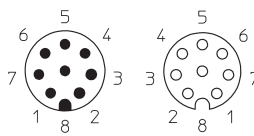


### Features

- **Measuring range : 0-200 or 0-2000ppm**
- **Wireless setting with Rfid technology**
- **Outputs : 4-20mA and/or Modbus RS485**
- **Memory : up to 500 000 measures**
- **Logger enclosure rating IP68**

This logger integrates the H2S sensor and some outputs so-called process like 4-20mA and Modbus RS485.

The measurement is performed by an electrochemical cell, the measuring head is easily interchangeable on-site and embarks its calibration.

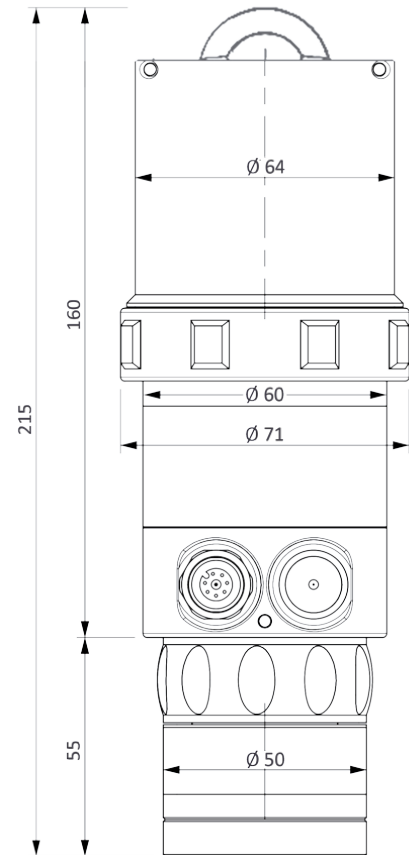
The sensor has radio communication capabilities up to 100m for configuration and a logger that allows measurement history retrieval also by radio.

<b>Features</b>	<b>Data logger</b> LOGAZPRO-200X-H2S-8X (868 MHz) - LOGAZPRO-200X-H2S-9X (915 MHz)
<b>Power supply</b>	External : 7 ... 30Vdc ; 1Watt max so 150mA (7V) to 40mA (30V) Internal : lithium battery 3,6V 17Ah (PN : A0100009) used for the autonomous datalogger mode
<b>Process output</b>  External power supply necessary (8...30Vdc)	- <b>4-20 mA current loop</b> (the sensor can not be powered by the loop : <u>3-wires connection required</u> ) - <b>Modbus RS485</b> <ul style="list-style-type: none"> <li>• Mode ASCII or RTU</li> <li>• Speed (Baud) 600, 1200, ... ,19200, 38400, 57600 (default 9600 baud)</li> <li>• 8 bits data, 1 stop bit, no parity by default</li> <li>• Configurable slave address (default address =1)</li> <li>• Reading of concentration on the extended Modbus table (@184 cf : K0K00011, available in the configuration of the logger using our software Avelour</li> </ul> <b>Word (16bits) coded in « little endian » : lsb first</b> <b>Short = 1 word = 16bits / Long = 2 words = 32bits</b> <b>Inversed 32bits = word 2 before word 1</b>
<b>Measuring period</b>	Minimum 10s
<b>Connector</b>	<b>Connector M12 – 8 points</b> <b>1- Vin (white)</b> <b>2- GND (brown)</b> <b>3- RS485-High (A) (green) : Modbus output</b> <b>4- RS485-Low (B) (yellow) : Modbus output</b> <b>5- Current output (grey) : 4-20mA</b> 
<b>Radio</b>	Internal antenna – 100m distance coverage - Protocol WIJI®
<b>Frequencies HF</b>	ISM 868MHz (Europe) / 915MHz (USA)
<b>Data logger</b>	500 000 Measures
<b>Operating temperature</b>	-40 ...85°C
<b>Housing</b>	ABS 20%FV
<b>Ingress Protection</b>	IP68 (only with the use of Ijinus mounting kit ; ref : H0T00060)
<b>Programming</b>	AVELOUR software part of the programming kit MOC00001(868 MHz), or MOC00002(915 MHz)
<b>Atex Zone II</b>	 <b>II 3G</b> Ex ic ec IIB T4 Gc Tamb : -20°C...60°C
<b>Certification CE/FCC/IC</b>	 : SE6A001 - IC : 10983A-A001

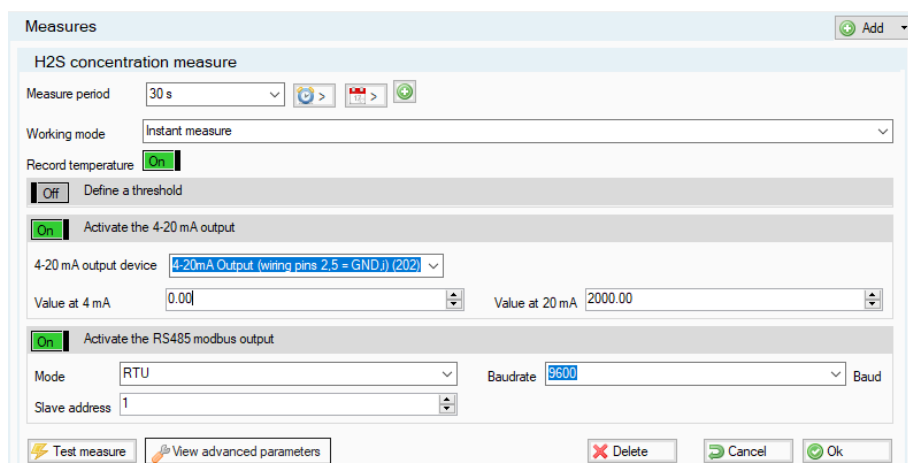
# LOGAZPRO-H2S: H2S logger with process output

<b>Dimensions LOGAZPRO-H2S</b>	Ø71 x 215 mm
<b>Weight</b>	365g
<b>Internal battery</b>	<b>3,6V 17Ah</b> - Allows radio configuration and to save the hour in case of power failure for the logger function - Battery operation does not allow the use of process outputs

Gaz cell features	H2S 0-200 ppm	H2S 0-2000 ppm
Typical measuring range	0-200ppm	0-2000 ppm
Maximum overexposure	500ppm	10000 ppm
Cell accuracy	± 0,5% FS	± 0,15% FS
Resolution	1 ppm	
Operating temperature	-30°C up to +50°C	
Relative humidity range	15 up to 90% HR without condensation	
Pressure range	80 up to 120kPa	
Cell enclosure rating	IP66	
Dimensions	Ø54 x 58mm	
Weight	108g	
Calibration	Integrated to the cell	



## Configuration with Avelour:



### Current loop application :

The sensor can not be powered by the loop in current output mode

To powered the sensor et recorded data, the three wires must be connected:

White (n°1) : Vin (between 7 and 30V)

Brown (n°2) : GND

Grey (n°5) : Iout 0-20mA